

Thank you for purchasing this AgfaPhoto digital camera. Please read these operating instructions carefully in order to use the digital camera correctly. Keep the instructions in a safe place after reading so that you can refer to them later.

## Precautions

- Before using the camera, please ensure that you read and understand the safety precautions described below. Always ensure that the camera is operated correctly.
- Do not aim the camera directly into the sun or other intense light sources which could damage your eyesight.
- Do not try to open the case of the camera or attempt to modify this camera in any way. High-voltage internal components create the risk of electric shock when exposed. Maintenance and repairs should be carried out only by authorized service providers.
- Do not fire the flash too close to the eyes of animals or people, especially for young children. Eye damage may result. In particular, remain at least one meter away from infants when using flash.
- Keep the camera away from water and other liquids. Do not use the camera with wet hands. Never use the camera in the rain or snow. Moisture creates the danger of electric shock.
- Keep the camera and its accessories out of the reach of children and animals to prevent accidents or damage to the camera.
- If you notice smoke or a strange odor coming from the camera, turn the power off immediately. Take the camera to the nearest authorized service center for repair. Never attempt to repair the camera on your own.
- Use only the recommended power accessories. Use of power sources not expressly recommended for this equipment may lead to overheating, distortion of the equipment, fire, electrical shock or other hazards.

## Disclaimer

We assume no responsibility over and above the provisions of the Product Liability Law for damages suffered by the user or third parties as a result of inappropriate handling of the product or its accessories, or by their operational failure and by their use. We reserve the right to make changes to this product and its accessories without prior notice.

**Warning!** Never disconnect to open the camera or remove any parts of it. This will invalidate all guarantee claims.

## **Using your batteries**

For best performance and prolonged battery life, we recommend the use of AA lithium or rechargeable Ni-MH batteries.

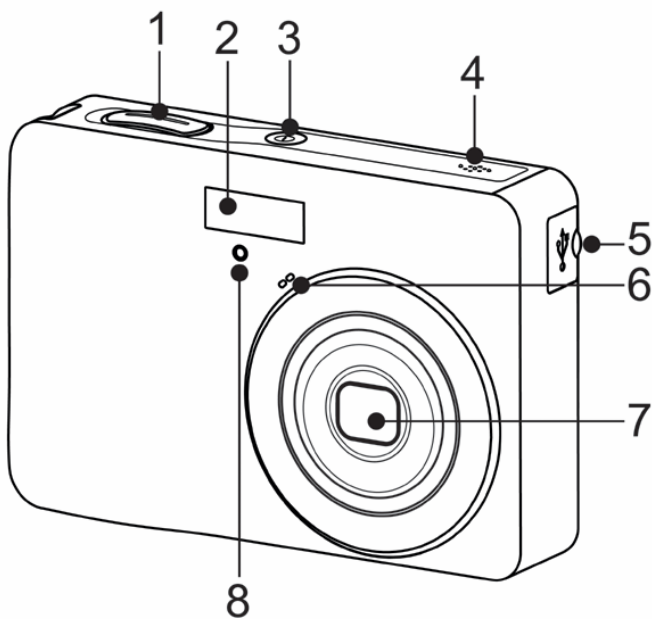
## **Extending battery life**

The following functions use up a great deal of battery power and should therefore only be used occasionally

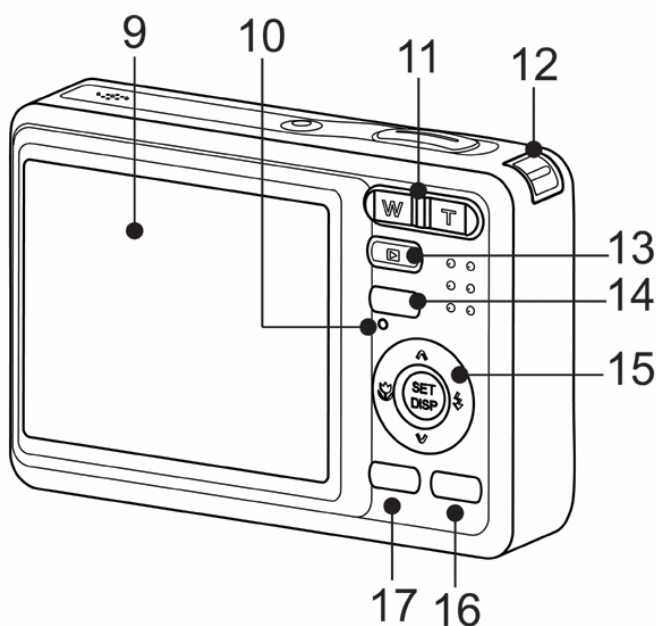
- Excessive use of flash
- Editing images on the camera display

The battery life can be affected by soiling. Please clean the contacts with a clean and dry cloth before putting the batteries in the camera. Battery performance drops at temperatures below 5° C (41° F). If you use the camera at low temperatures you should have replacement batteries to hand and ensure they do not get too cold. Please note: you should not dispose of cold and seemingly flat batteries because these batteries may work again at room temperature.

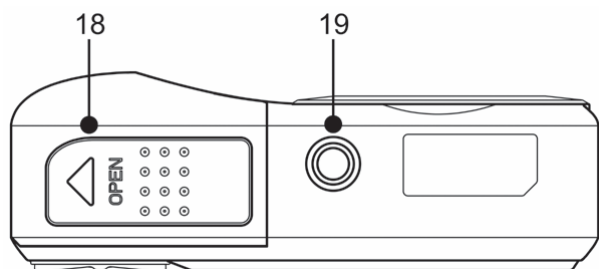
## Parts of the Camera



1. Shutter Button
2. Flash
3. Power Button
4. Speaker
5. USB/AV Terminal
6. Microphone
7. Lens
8. Self-timer Lamp



9. LCD Monitor
10. Operation Lamp
11. Zoom Button
12. Strap Ring
13. Playback Button
14. Menu Button
15. Four-way Control
  - Flash Button
  - Macro Button
  - SET / DISP Button
16. Mode Button
17. Delete / ASM Button



18. Battery Cover
  - The memory card slot is located beneath the battery cover, adjacent to the battery compartment.
19. Tripod Socket

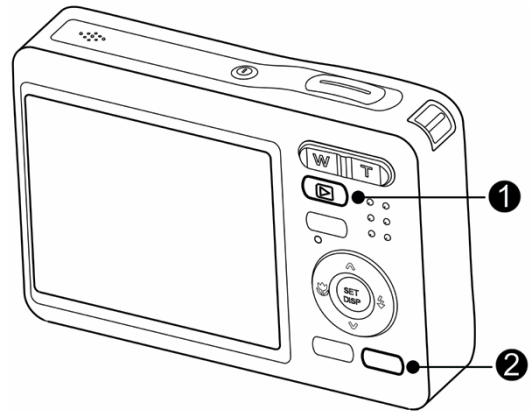
# Changing the Mode

You can record images and voices in the REC mode. And using the PLAYBACK mode to replay, delete, or edit images on the LCD monitor.

## Switching between REC mode and PLAYBACK mode

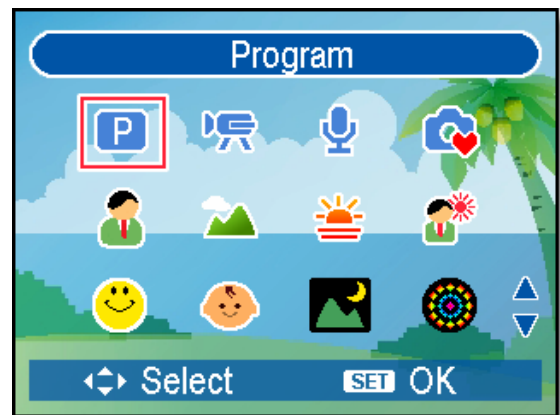
In REC mode: press the **PLAYBACK** button (❶) to switch to the PLAY mode.

In PLAY mode: press the **PLAYBACK** (❶) or the **MODE** (❷) button to switch to the REC mode.



## Selecting the REC mode

- 1 .....  
**Set the camera to the REC mode**
- 2 .....  
**Launch the mode palette.**
  - Press the **MODE** button (❷) to show the scene mode palette.
- 3 .....  
**Select a mode.**
  - Use the four-way control to select a desired mode and press the **SET** button to confirm the setting.



# Using the Menus


When a menu is displayed, the four-way control and the **SET** button are used to make the desired settings.

## REC menu

- 1 .....  
**Turn the power on, and set the camera to the REC mode.**
- 2 .....  
**Open the REC menu.**
  - Press the **MENU** button to display the menu.
- 3 .....  
**Select an item.**  
Press ◀ or ▶ to select a menu item.
- 4 .....  
**Change the setting.**  
Press ▲ or ▼ to change the setting.
- 5 .....  
**Press the MENU or the SET button to save the settings and close the menu.**



## Setup menu

- 1 .....  
**Turn the power on, and set the camera to the REC or PLAYBACK mode.**
- 2 .....  
**Press the MENU button to open the REC or PLAYBACK menu.**
  - The menu displays depends on whether you are in the REC mode or the PLAYBACK mode.
- 3 .....  
**Open the Setup menu.**
  - Press four-way control to select **SETUP** (  ) and then press the **SET** button to display the Setup menu.



4

Select an item.

- Press ▲ or ▼ to select a menu item and then press ► or the **SET** button to launch the submenu.

5

Change the setting.

- Press ▲ or ▼ to select an option and press ◀ or the **SET** button to apply the setting.

6

Press the **MENU** button to close the menu.

### Deleting a Single File

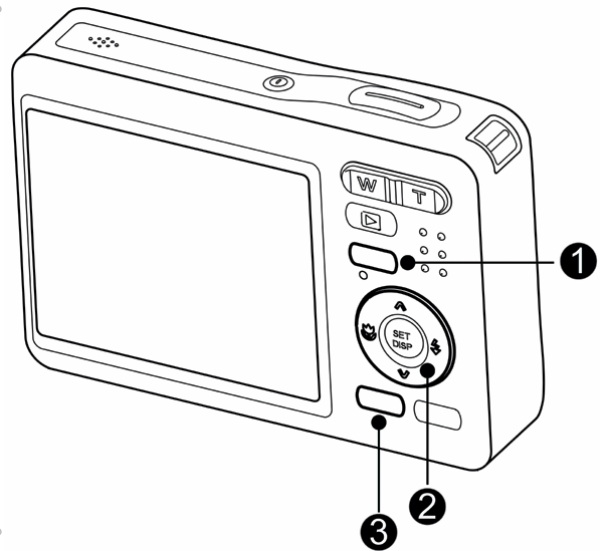
1

Turn the power on, and set the camera to the **PLAYBACK** mode.

2

Open the menu.

- Press the **MENU** button (❶), then use the four-way control (❷) to select **Delete** (🗑️) and press the **SET** button (❷).



3

Press ▲ or ▼ (❷) to select **[SINGLE]**, and then press the **SET** button (❷).

4

Press ◀ or ▶ (❷) to select the image you want to delete.

5

Press the **SET** button (❷) to delete the image.

- Repeat step 4~5 to delete images.

## Connecting the Camera to a PC

There are two ways to download files from the camera's internal memory or memory card to a computer:

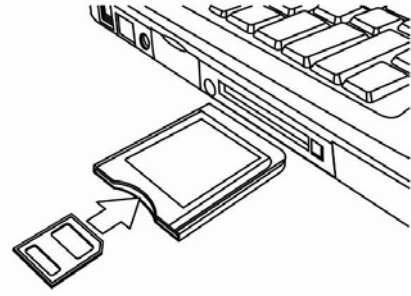
- Inserting the memory card into a card reader
- Connecting the camera to a computer using the supplied USB cable

### Using the Card Reader

**1** Eject the memory card from the camera and insert it in a card reader that is connected to a computer.

**2** Open [My Computer] or [Windows Explorer] and double-click the removable drive icon that represents the memory card.

**3** Copy images from the card into a directory of your choice on the computer's hard disk.



- Ⓞ When the O/S is Windows 98/98SE, use mouse right click on the program file named "DSC driver" or "DSC User manual" located in the CD-ROM.

## Customer care

More information about the complete AgfaPhoto digital camera product range can be found under [www.plawa.com](http://www.plawa.com) / [www.plawauas.com](http://www.plawauas.com)

### **Service & Repair (USA/ Canada):**

1-866 475 2605

[www.plawausa.com](http://www.plawausa.com)

### **Service & Repair Hotline (EU):**

00800 752 921 00 (from a landline only)

### **Service & Support Hotline (Germany):**

0900 1000 042 (1.49 Euro/ min. from a German landline only)

### **Online Service / International contact:**

[support-apdc@plawa.com](mailto:support-apdc@plawa.com)

Manufactured by

plawa-feinwerktechnik GmbH & Co. KG

Bleichereistraße 18

73066 Uhingen

Germany

AgfaPhoto is used under license of Agfa-Gevaert NV & Co. KG. Agfa-Gevaert NV & Co. KG does not manufacture this product or provide any product warranty or support. For service, support and warranty information, contact the distributor or manufacturer. All other brands and product names are registered trademarks of their respective owners. Product design and technical features can be changed without notice. Contact: AgfaPhoto Holding GmbH, [www.agfaphoto.com](http://www.agfaphoto.com)

## **Disposal of Waste Equipment by Users in Private Households in the European Union**



This symbol on the product or on its packaging indicates that this product must not be disposed of with your other household waste. Instead, it is your responsibility to dispose of your waste equipment by handing it over to a designated collection point for the recycling of waste electrical and



electronic equipment. The separate collection and recycling of your waste equipment at the time of disposal will help to conserve natural resources and ensure that it is recycled in a manner that protects human health and the environment. For more information about where you can drop off your waste equipment for recycling, please contact your local city office, your household waste disposal service or the shop where you purchased the product.

## **FCC Compliance and Advisory**

This device complies with Part 15 of the FCC Rules. Operation is subject to the following two conditions: 1.) this device may not cause harmful interference, and 2.) this device must accept any interference received, including interference that may cause unsatisfactory operation. This equipment has been tested and found to comply with the limits for a Class B peripheral, pursuant to Part 15 of the FCC Rules. These limits are designed to provide reasonable protection against harmful interference in a residential installation. This equipment generates, uses, and can radiate radio frequency energy and, if not installed and used in accordance with the instructions, may cause harmful interference to radio communication. However, there is no guarantee that interference will not occur in a particular installation. If this equipment does cause harmful interference to radio or television reception, which can be determined by turning the equipment off and on, the user is encouraged to try to correct the interference by one or more of the following measures.

- Reorient or relocate the receiving antenna.
- Increase the separation between the equipment and receiver.
- Connect the equipment to an outlet on a circuit different from that to which the receiver is connected.
- Consult the dealer or an experienced radio/TV technician for help.

Any changes or modifications not expressly approved by the party responsible for compliance could void the user's authority to operate the equipment. When shielded interface cables have been provided with the product or when specified additional components or accessories have elsewhere been designated to be used with the installation of the product, they must be used in order to ensure compliance with FCC regulations.